

ABSTRACT OF THE DISCLOSURE

IMPROVED BABY BOTTLE APPARATUS

An improved baby bottle apparatus having a baby bottle adapted to be filled with a liquid and any chosen additives and then releasably attached to a base member with the base member adapted to releasably connect with the bottle member and heat a liquid to a desired temperature and stir the liquid to mix any chosen additives added to the liquid before a baby sucks on the nipple and drinks the liquid.

IMPROVED BABY BOTTLE APPARATUS

COPYRIGHT NOTICE

A portion of the disclosure of this patent document contains material which is subject to copyright protection. The copyright owner has no objection to the facsimile reproduction by anyone of the patent document or the patent disclosure, as it appears in the Patent and Trademark Office patent file or records, but otherwise reserves all copyright rights whatsoever. 37 CFR 1.71(d).

BACKGROUND OF THE INVENTION

The following includes information that may be useful in understanding the present invention(s). It is not an admission that any of the information provided herein is prior art, or material, to the presently described or claimed inventions, or that any publication or document that is specifically or implicitly referenced is prior art.

1. Field of the Invention

[0001] The present invention relates generally to the field of baby bottle devices and more specifically relates to an improved baby bottle apparatus having a baby bottle adapted to be filled with a liquid and any chosen additives and then releasably attached to a base member with the base member adapted to releasably connect with the bottle member and heat a liquid to a desired temperature and stir the liquid to mix any chosen additives added to the liquid before a baby sucks on the nipple and drinks the liquid.

2. Description of the Related Art

[0002] A baby bottle is a bottle with a nipple to drink directly from. It is typically used by infants and young children, or if someone cannot (as conveniently) drink from a cup, for feeding oneself or being fed. In particular it is used to feed infant formula, expressed breast milk or pediatric electrolyte solution. When the baby is crying, the bottle needs to be ready, fast. Unfortunately, heating a bottle is not always an option and formula can form clumps or colic-causing air bubbles. Therefore, a need exists for a baby bottle that mixes and warms formula or milk with an induction heater and powered agitator inside the bottle, for fast feedings without colic-causing air bubbles or clumps ready to comfort a baby no matter where you are.

[0003] Various attempts have been made to solve problems found in baby formula preparation devices art. Among these are found in: U.S. Patent No. 8,960,992 to Jong et al. U.S. Patent No. 8,360,279 to Matthew L. Giles; U.S. Pub. No. 2006/0007781 to Martin et al.; U.S. Pub. No. 2005/0238341 to Thaler et al.; and U.S. Patent No. 8,851,739 to Osmay Gonzalez. This prior art is representative of baby formula heating and mixing devices.

[0004] Ideally, an improved baby bottle apparatus should be user-friendly and safe in-use and, yet should operate reliably and be manufactured at a modest expense. Thus, a need exists for an improved baby bottle apparatus having a baby bottle adapted to be filled with a liquid and any chosen additives and then releasably attached to a base member with the base member adapted to releasably connect with the bottle member and heat a liquid to a desired temperature and stir the liquid to mix any chosen additives added to the liquid before a baby sucks on the nipple and drinks the liquid and to avoid the above-mentioned problems.

BRIEF SUMMARY OF THE INVENTION

[0005] In view of the foregoing disadvantages inherent in the known baby bottle art, the present invention provides an improved baby bottle apparatus. The general purpose of the present invention, which will be described subsequently in greater detail is to provide an improved baby bottle apparatus having a baby bottle adapted to be filled with a liquid and any chosen additives and then releasably attached to a base member with the base member adapted to releasably connect with the bottle member and heat a liquid to a desired temperature and stir the liquid to mix any chosen additives added to the liquid before a baby sucks on the nipple and drinks the liquid.

[0006] An improved baby bottle apparatus comprises a base member and a bottle member. The base member includes: a top wall having a top surface; a bottom wall; at least one side wall; at least one connector member; a power supply; a power control member; a heating control member; a temperature display member; a mixing control member; a mixing motor; and a mixing axle. The at least one side wall is connected between the top wall and the bottom wall. The top wall, the at least one side wall, and the bottom wall form an interior volume. The at least one connector member is located upon the top surface of the top wall and is adapted to releasably connect with a bottom portion of a bottle member.

[0007] The power supply is located within the interior volume. The power control member is located upon one of the at least one side wall and is adapted to control power from the power supply. The heating control member is located upon one of the at least one side wall and is adapted to control power from the power control member and to a heating element of the bottle member. The temperature display member is located upon one of the at least one side wall, is electrically connected to the power control member, and is adapted to receive

temperature information from a temperature sensor of said bottle member and display the temperature of the bottle member thereupon.

[0008] The mixing control member is located upon one of the at least one side wall and is adapted to control power from the power control member and to a mixing motor. The mixing motor is located within the interior volume, is electrically connected to the mixing control member, and is adapted to spin a mixing axle. The mixing axle is mechanically connected to the mixing motor, is adapted to rotate, and extends through and outwards from the top surface of the top wall and is adapted to releasably connect to and rotate an agitator module of the bottle member.

[0009] The bottle member includes a bottom portion; at least one side wall; a top portion; a heating element; a temperature sensor; and an agitator module. The bottom portion includes a bottom panel and at least one connector portion. The at least one connector member is connected to the bottom panel and is adapted to releasably connect with the at least one connector member of the base member. The at least one side wall is connected to and extends from the bottom panel.

[00010] The top portion including: a bottom rim, a main wall, a nipple member. The bottom rim is adapted to releasably connect with a top rim of the at least one side wall. The main wall is connected to the bottom rim and extends therefrom. The nipple member is connected to a top portion of the main wall and is shaped and adapted to be sucked on by a baby. The top portion is adapted to be removably coupled to the at least one side wall. The bottom portion, the at least one side wall, and the top portion form an interior volume.

[00011] The heating element is connected to the bottom panel, is adapted to receive electric power from the heating control member of the base member, and is adapted to heat liquid placed within the interior volume of the bottle member.

[00012] The temperature sensor is attached to an interior surface of the main wall, is adapted to be electrically connected to the temperature display member of the base member, and is adapted to send temperature information of the liquid placed within the interior volume of the bottle member to the temperature display member of said base member.

[00013] The agitator module is located within said interior volume of said bottle member in proximity to said bottom panel of said bottom portion, extends upwardly therefrom, is releasably connected to said mixing axle of said mixing motor, and adapted to rotate and mix liquid placed within the interior volume of said bottle member.

[00014] The bottle member is adapted to be filled with a liquid and any chosen additives and then releasably attached to said base member; and wherein the base member is adapted to releasably connect with said bottle member and heat said liquid to a desired temperature and stir said liquid to mix any chosen additives added to said liquid before a baby sucks on said nipple and drinks said liquid.

[00015] The present invention holds significant improvements and serves as an improved baby bottle apparatus. For purposes of summarizing the invention, certain aspects, advantages, and novel features of the invention have been described herein. It is to be understood that not necessarily all such advantages may be achieved in accordance with any one particular embodiment of the invention. Thus, the invention may be embodied or carried out in a manner that achieves or optimizes one advantage or group of advantages as taught herein without necessarily achieving other advantages as may be taught or suggested herein.

The features of the invention which are believed to be novel are particularly pointed out and distinctly claimed in the concluding portion of the specification. These and other features, aspects, and advantages of the present invention will become better understood with reference to the following drawings and detailed description.

BRIEF DESCRIPTION OF THE DRAWINGS

[00016] The figures which accompany the written portion of this specification illustrate embodiments and method(s) of use for the present invention, an Improved Baby Bottle Apparatus constructed and operative according to the teachings of the present invention.

[00017] **FIG. 1** shows a perspective view illustrating an Improved Baby Bottle Apparatus according to an embodiment of the present invention.

[00018] **FIG. 2** shows a perspective view illustrating a base member of the Improved Baby Bottle Apparatus according to an embodiment of the present invention.

[00019] **FIG. 3** is a exploded view illustrating of the base member and bottle member of the Improved Baby Bottle Apparatus according to an embodiment of the present invention.

[00020] **FIG. 4** is a front side perspective view illustrating another view of the Improved Baby Bottle Apparatus according to an embodiment of the present invention of **FIG. 1**.

[00021] **FIG. 5** is a perspective view illustrating a heating element and temperature sensor on the bottle member of the Improved Baby Bottle Apparatus according to an embodiment of the present invention of **FIG. 1**.

[00022] **FIG. 6** is a perspective view illustrating the Improved Baby Bottle Apparatus in an in-use condition according to an embodiment of the present invention of **FIG. 1**.

[00023] The various embodiments of the present invention will hereinafter be described in conjunction with the appended drawings, wherein like designations denote like elements.

DETAILED DESCRIPTION

[00024] As discussed above, embodiments of the present invention relate to a baby bottle device and more specifically relates to an improved baby bottle apparatus having a baby bottle adapted to be filled with a liquid and any chosen additives and then releasably attached to a base member with the base member adapted to releasably connect with the bottle member and heat a liquid to a desired temperature and stir the liquid to mix any chosen additives added to the liquid before a baby sucks on the nipple and drinks the liquid

[00025] Generally speaking, the improved baby bottle apparatus quickly mixes and warms formula or milk with an induction heater and powered agitator inside the bottle, for fast feedings without colic-causing air bubbles or clumps. Plus, the compact size and rechargeable battery means the Better Bottle is ready to comfort your baby no matter where you are.

No other bottle offers the all-in-one, compact convenience of the Better Bottle's unique features:

- Portable heater and mixer inside the bottle for feedings anywhere
- Detects temperature, with LED display to indicate when the contents are ready
- Magnetic induction heating system is faster and safer
- Battery operated with USB charging plug
- Compatible with breast milk and formula

Heats milk more efficiently and also makes better formula:

1. No clumps
2. No air bubbles
3. Fast preparation—just one minute
4. Have warm milk ready on-the-go
5. Great for nursing or formula-using moms

[00026] Referring now to **FIGS. 1-8**, showing perspective views illustrating improved baby bottle apparatus **100** according to an embodiment of the present invention of **FIG. 1**.

[00027] Improved baby bottle apparatus **100** comprises base member **110** and bottle member **400**. Base member **110** includes: top wall **200** having top surface **206**; bottom wall **210**; at least one side wall **220**; at least one connector member **230**; power supply **240**; power control member **250**; heating control member **260**; temperature display member **270**; mixing control member **280**; mixing motor **286**; and mixing axle **292**. At least one side wall **220** is connected between top wall **200** and bottom wall **210**. Top wall **200**, at least one side wall **220**, and bottom wall **210** form interior volume **216**. At least one connector member **230** is located upon top surface **206** of top wall **200** and is adapted to releasably connect with bottom portion **410** of bottle member **400**.

[00028] Power supply **240** is located within interior volume **216**. Power control member **250** is located upon one of at least one side wall **220** and is adapted to control power from power supply **240**. Heating control member **260** is located upon one of at least one side wall **220** and is adapted to control power from power control member **250** and to heating element **500** of bottle member **400**. Power supply **240** is formed as battery members **242**. Wherein battery members **242** are rechargeable.

[00029] Improved baby bottle apparatus **100** further comprising USB port **244** is located upon one of at least one side wall **220** and is adapted to receive power from USB cable **300** and send power to power supply **240** as shown in **FIG. 3**. Improved baby bottle apparatus **100** further comprising USB cable **300** adapted to releasably connect with USB port **244** and is adapted to receive power from an external power source and send power to power supply **240** via said USB port **244**.

[00030] Temperature display member **270** is located upon one of at least one side wall **220**, is electrically connected to power control member **250**, and is adapted to receive

temperature information from temperature sensor **510** of bottle member **400** and display temperature of bottle member **400** thereupon. Wherein temperature display member **270** includes light emitting diode display **272**.

[00031] Mixing control member **280** is located upon one of at least one side wall **220** and is adapted to control power from power control member **250** and to mixing motor **286**.

Mixing motor **286** is located within interior volume **216**, is electrically connected to mixing control member **280**, and is adapted to spin mixing axle **292**. Mixing axle **292** is mechanically connected to mixing motor **286**, is adapted to rotate, and extends through and outwards from top surface **206** of top wall **200** and is adapted to releasably connect to and rotate agitator module **520** of bottle member **400**.

[00032] Bottle member **400** includes bottom portion **410**; at least one side wall **420**; top portion **430**; heating element **500**; temperature sensor **510**; and agitator module **520**. Bottom portion **410** includes bottom panel **412** and at least one connector portion **416**. At least one connector portion **416** is connected to bottom panel **412** and is adapted to releasably connect with at least one connector member **230** of base member **110**. At least one side wall **420** is connected to and extends from bottom panel **412**.

[00033] Top portion **430** includes bottom rim **434**, main wall **438**, and nipple member **442**. Bottom rim **434** is adapted to releasably connect with top rim **424** of at least one side wall **420**. Main wall **438** is connected to bottom rim **434** and extends therefrom. Nipple member **442** is connected to top portion **430** of main wall **438** and is shaped and adapted to be sucked on by baby **610** as shown in in-use condition **600** of **FIG. 6**. Top portion **430** is adapted to be removably coupled to the at least one side wall **420**. Bottom portion **410**, said at least one side wall **420**, and top portion **430** form interior volume **426**.

[00034] Wherein at least one side wall **420** of bottle member **400** is formed from a material chosen from a group of materials consisting of acrylic, plastic, and glass. wherein material of said side wall **420** is translucent. Wherein main wall **438** and nipple member **442** of bottle member **400** is formed from a material chosen from a group of materials consisting of plastic, rubber, and silicone.

[00035] Heating element **500** is connected to bottom panel **412**, is adapted to receive electric power from heating control member **260** of base member **110**, and is adapted to heat liquid placed within interior volume **426** of bottle member **400**. Temperature sensor **510** is attached to an interior surface of main wall **438**, is adapted to be electrically connected to temperature display member **270** of base member **110**, and is adapted to send temperature information of liquid **620** placed within interior volume **426** of bottle member **400** to temperature display member **270** of base member **110**. Wherein heating element **500** is formed as magnetic induction heating element. The magnetic induction heating element includes at least one magnetic panel member **502**. Wherein magnetic induction heating element includes at least two magnetic panel members **504**.

[00036] Wherein heating control member **260**, heating element **500**, and temperature display member **270** are adapted to heat and maintain liquid **620** at 98.6 degrees Fahrenheit and display 98.6 on temperature display member **270**, such that liquid **620** is substantially the same temperature as human breast milk directly taken out of a human body and is ready for consumption by baby **610** as shown in in-use condition **600** of **FIG. 6**.

[00037] Agitator module **520** is located within interior volume **426** of bottle member **400** in proximity to bottom panel **412** of bottom portion **410**, extends upwardly therefrom, is releasably connected to mixing axle **292** of mixing motor **286**, and adapted to rotate and mix

liquid **610** placed within interior volume **426** of bottle member **400**. Wherein agitator module **520** is formed having at least one panel member **522** adapted to extend vertically and spin within interior volume **426** of bottle member **400**. Wherein agitator module **470** is formed having two panel members **524** adapted to extend vertically one on top of the other and spin within interior volume **426** of bottle member **400**. Wherein two panel members **524** are offset ninety degrees from one another. Wherein one of two panel members **522** is formed in the shape of tear-drop **526**; and the second of two panel members **524** is formed in the shape of inverted tear-drop **528**.

[00038] Bottle member **400** is adapted to be filled with liquid **610** and any chosen additives and then releasably attached to base member **110**; and wherein base member **110** is adapted to releasably connect with bottle member **400** and heat liquid **620** to a desired temperature and stir liquid **620** to mix any chosen additives added to liquid **620** before baby **610** sucks on said nipple **442** and drinks liquid **610**.

[00039] The embodiments of the invention described herein are exemplary and numerous modifications, variations and rearrangements can be readily envisioned to achieve substantially equivalent results, all of which are intended to be embraced within the spirit and scope of the invention. Further, the purpose of the foregoing abstract is to enable the U.S. Patent and Trademark Office and the public generally, and especially the scientist, engineers and practitioners in the art who are not familiar with patent or legal terms or phraseology, to determine quickly from a cursory inspection the nature and essence of the technical disclosure of the application.

CLAIMS

What is claimed is:

1. An improved baby bottle apparatus comprising:

a base member including:

a top wall including:

a top surface;

a bottom wall;

at least one side wall;

wherein said at least one side wall is connected between said top wall and said bottom wall;

wherein said top wall, said at least one side wall, and said bottom wall form an interior volume;

at least one connector member;

wherein said at least one connector member is located upon said top surface of said top wall and is adapted to releasably connect with a bottom portion of a bottle member;

a power supply;

wherein said power supply is located within said interior volume;

a power control member;

wherein said power control member is located upon one of said at least one side wall and is adapted to control power from said

power supply;

a heating control member;

wherein said heating control member is located upon one of said at least one side wall and is adapted to control power from said power control member and to a heating element of said

bottle member;

a temperature display member;

wherein said temperature display member is located upon one of said at least one side wall, is electrically connected to said power control member, and is adapted to receive temperature information from a temperature sensor of said bottle member and display the temperature of said bottle member thereupon;

a mixing control member;

wherein said mixing control member is located upon one of said at least one side wall and is adapted to control power from said power control member and to a mixing motor;

a mixing motor;

wherein said mixing motor is located within said interior volume, is electrically connected to said mixing control member, and is adapted to spin a mixing axle; and

a mixing axle;

wherein said mixing axle is mechanically connected to said mixing motor, is adapted to rotate, and extends through and outwards from said top surface of said top wall and is adapted

to releasably connect to and rotate an agitator module of said
bottle member; and

a bottle member comprising:

a bottom portion including:

a bottom panel;

at least one connector portion;

wherein said at least one connector member is

connected to said bottom panel and is adapted to

releasably connect with said at least one connector

member of said base member;

at least one side wall;

wherein said at least one side wall is connected to and extends

from said bottom panel;

a top portion including:

a bottom rim;

wherein said bottom rim is adapted to releasably

connect with a top rim of said at least one side wall;

a main wall;

wherein said main wall is connected to said bottom rim

and extends therefrom; and

a nipple member;

wherein said nipple member is connected to a top portion of said main wall and is shaped and adapted to be sucked on by a baby;

wherein said top portion is adapted to be removably coupled to said at least one side wall;

wherein said bottom portion, said at least one side wall, and said top portion form an interior volume;

a heating element;

wherein said heating element is connected to said bottom panel, is adapted to receive electric power from said heating control member of said base member, and is adapted to heat liquid placed within said interior volume of said bottle member;

a temperature sensor;

wherein said temperature sensor is attached to an interior surface of said main wall, is adapted to be electrically connected to said temperature display member of said base member, and is adapted to send temperature information of said liquid placed within said interior volume of said bottle member to said temperature display member of said base member; and

an agitator module;

wherein said agitator module is located within said interior volume of said bottle member in proximity to said bottom panel of said bottom portion, extends upwardly therefrom, is

releasably connected to said mixing axle of said mixing motor,
and adapted to rotate and mix liquid placed within said
interior volume of said bottle member;

wherein said bottle member is adapted to be filled with a liquid and any
chosen additives and then releasably attached to said base member; and
wherein said base member is adapted to releasably connect with said bottle
member and heat said liquid to a desired temperature and stir said liquid to
mix any chosen additives added to said liquid before a baby sucks on said
nipple and drinks said liquid.

2. The improved baby bottle apparatus of claim 1, wherein said power supply is formed as
battery members.
3. The improved baby bottle apparatus of claim 2, wherein said battery members are
rechargeable.
4. The improved baby bottle apparatus of claim 1, further comprising a USB port is located upon
one of said at least one side wall and is adapted to receive power from a USB cable and send
power to said power supply.
5. The improved baby bottle apparatus of claim 1, wherein said temperature display member
includes a light emitting diode display.

6. The improved baby bottle apparatus of claim 1, wherein said heating element is formed as a magnetic induction heating element.
7. The improved baby bottle apparatus of claim 6, wherein said magnetic induction heating element includes at least one magnetic panel member.
8. The improved baby bottle apparatus of claim 7, wherein said magnetic induction heating element includes at least two magnetic panel members.
9. The improved baby bottle apparatus of claim 1, wherein said agitator module is formed having at least one panel member adapted to extend vertically and spin within said interior volume of said bottle member.
10. The improved baby bottle apparatus of claim 9, wherein said agitator module is formed having two panel members adapted to extend vertically one on top of the other and spin within said interior volume of said bottle member.
11. The improved baby bottle apparatus of claim 10, wherein said two panel members are offset ninety degrees from one another.

12. The improved baby bottle apparatus of claim 1, wherein said heating control member, said heating element, and said temperature display member are adapted to heat and maintain said liquid at 98.6 degrees Fahrenheit and display 98.6 on said temperature display member, such that said liquid is substantially the same temperature as human breast milk directly taken out of a human body and is ready for consumption by a baby.

13. The improved baby bottle apparatus of claim 1, wherein said at least one side wall of said bottle member is formed from a material chosen from a group of materials consisting of acrylic, plastic, and glass.

14. The improved baby bottle apparatus of claim 1, wherein said material of said side wall is translucent.

15. The improved baby bottle apparatus of claim 1, wherein said main wall and said nipple member of said bottle member is formed from a material chosen from a group of materials consisting of plastic, rubber, and silicone.

16. The improved baby bottle apparatus of claim 4, further comprising a USB cable adapted to releasably connect with said USB port and is adapted to receive power from an external power source and send power to said power supply via said USB port.

17. The improved baby bottle apparatus of claim 11, wherein one of said two panel members is formed in the shape of a tear-drop; and the second of said two panel members is formed in the shape of an inverted tear-drop.

1/4

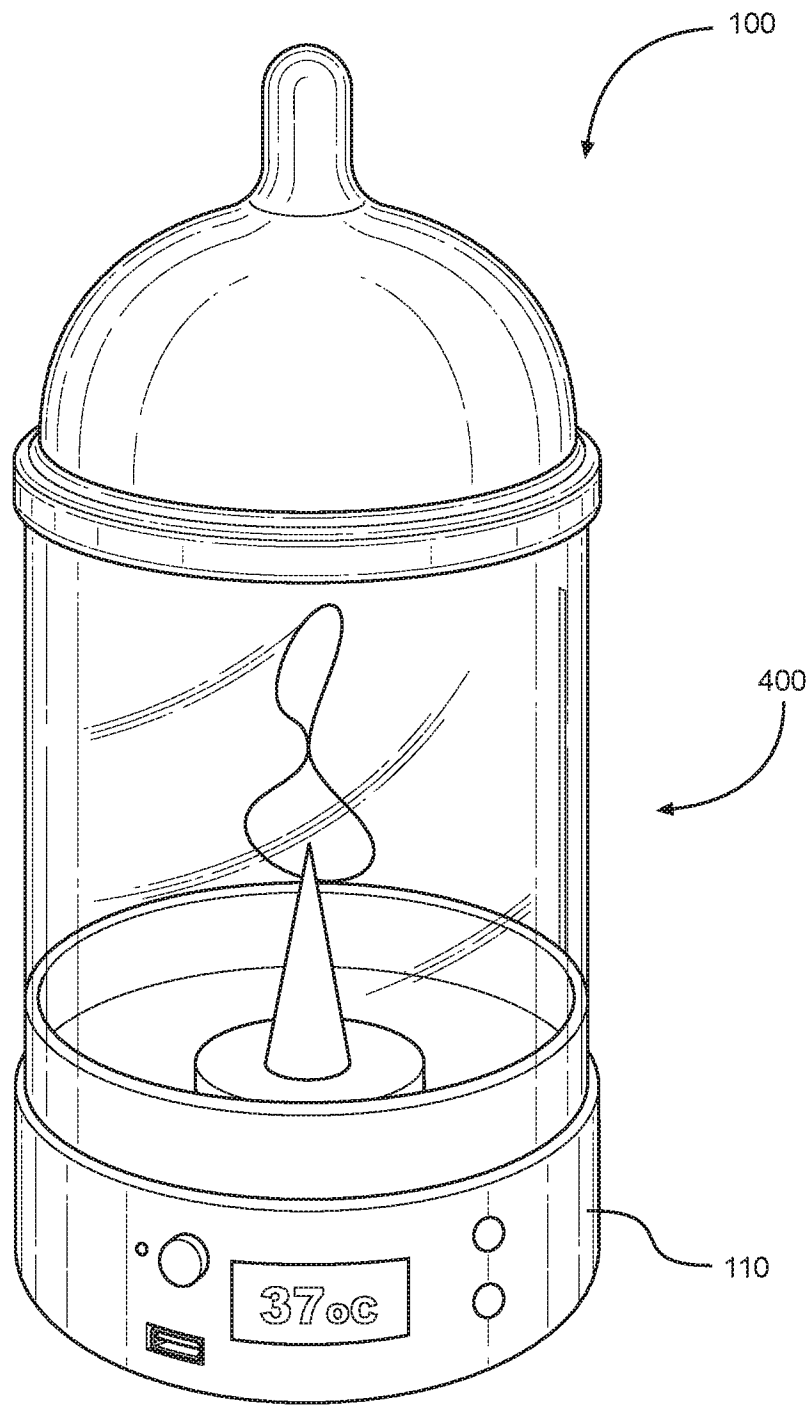


FIG. 1

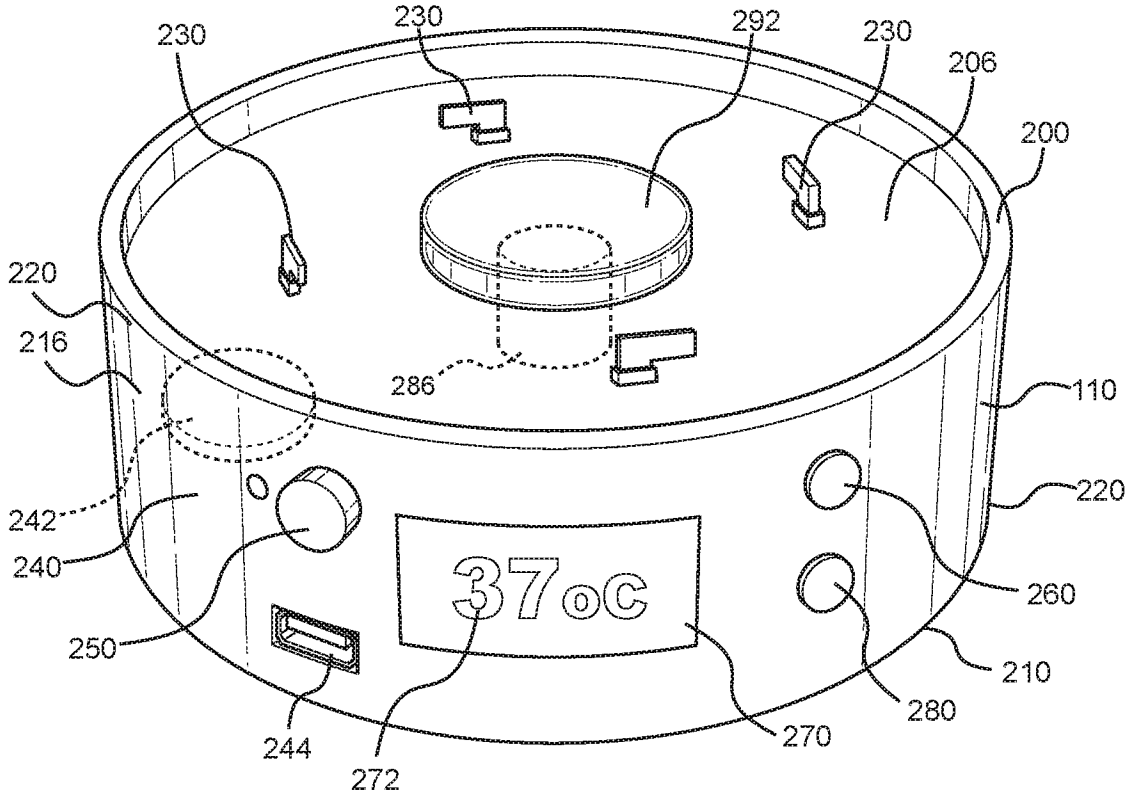


FIG. 2

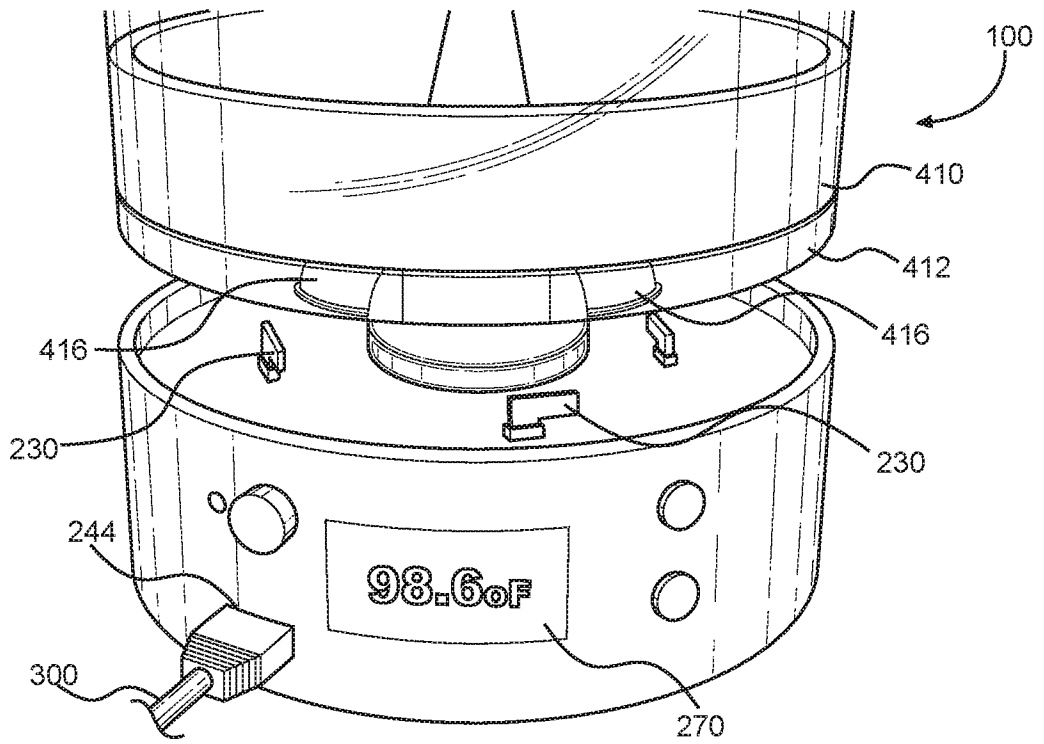


FIG. 3

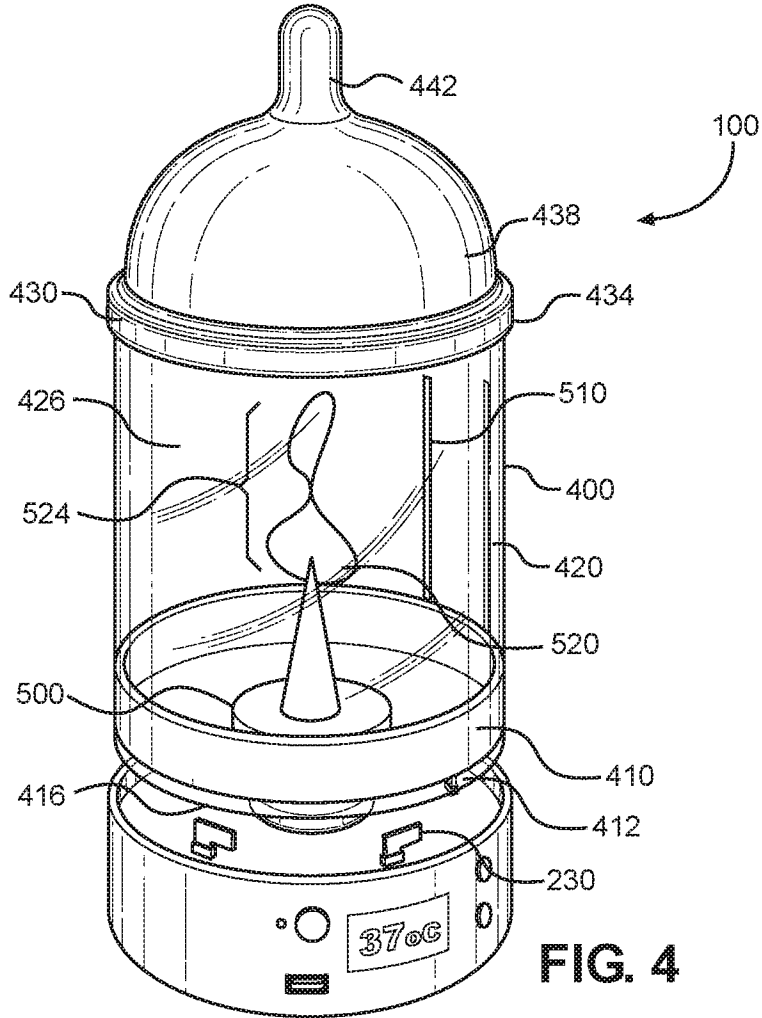


FIG. 4

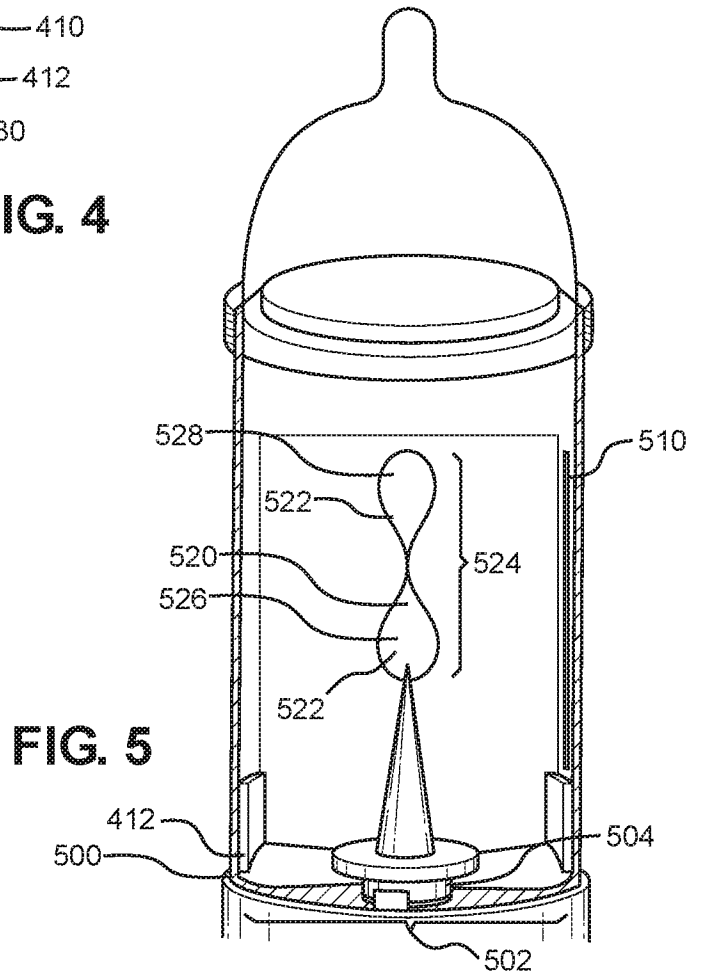


FIG. 5

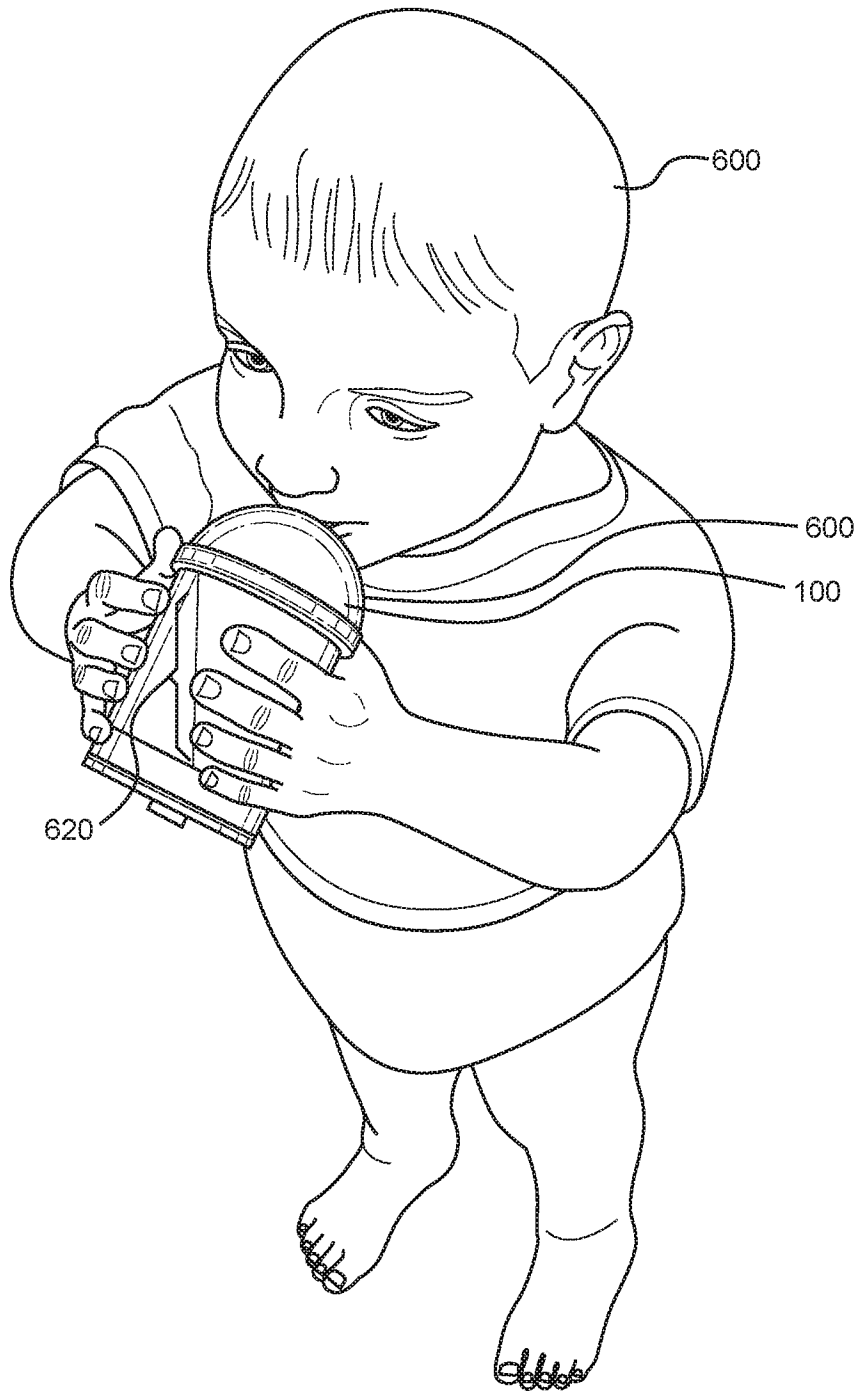


FIG. 6